

FBS Series - Clamping and braking element for rods

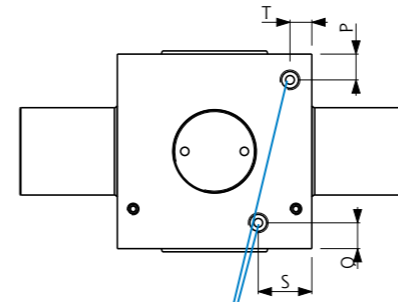
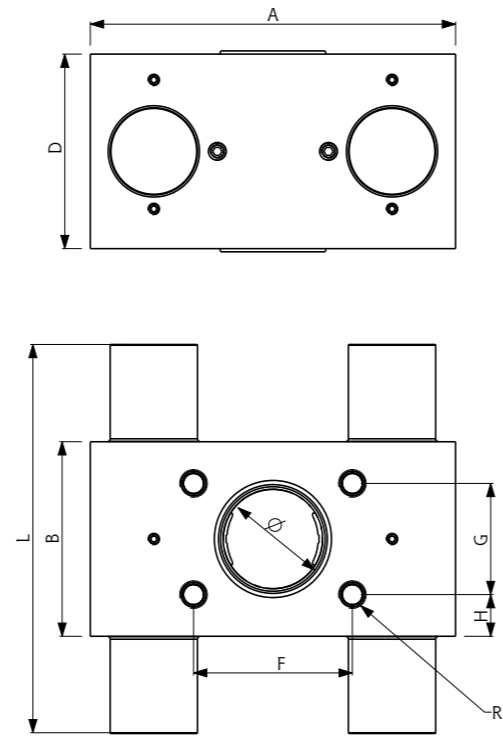
The body of the element made in anodized aluminium improves the mechanical properties of this device.
The double piston system produces clamping forces that are 50% higher than the normal mechanism, maintaining a small size.

FBS##--S
FBS##--E



Roll diameter **16 ÷ 25 mm**
Working type **Norm. Open**
Body **Anodized aluminum**
Temperature **-20°C ÷ 80°C**
Operating Pressure **5,5 ÷ 8 bar**
Switching time **40 ÷ 60 mSec**

- ◆ Compact in size
- ◆ Functioning in both directions
- ◆ High clamping force thanks to a double piston system.



M5 AIR CONNECTION
we recommend the use of compressed air hose $\varnothing 6 \times 4$

FBS##--M
FBS##--D



Roll diameter **16 ÷ 25 mm**
Working type **Norm. Closed**
Body **Anodized aluminum**
Temperatur **-20°C ÷ 80°C**
Operating Pressure **5,5 ÷ 8 bar**
Switching time **40 ÷ 60 mSec**

- ◆ Compact in size Functioning in both directions.
- ◆ High clamping force thanks to a double piston system.
- ◆ Used to block guided loads in case of pressure drop (emergency).

Type	Size	Clamping Force [N]				D [mm]	A [mm]	B [mm]	F [mm]	G [mm]	H [mm]	L [mm]	P [mm]	Q [mm]	R	S [mm]	T [mm]
		M	S	E	D												
FBS	16	1200	1600	1600	2800	83	49	49	40	28	10.5	98	6.5	6.5	M6x6	13.5	5.5
FBS	20	1200	1800	1800	3000	87	49	49	40	28	10.5	98	6.5	6.5	M6x6	13.5	5.5
FBS	25	1500	2000	2000	3500	92	49	49	40	28	10.5	98	6.5	6.5	M6x6	13.5	5.5