

F Series - Pneumatic clamping element

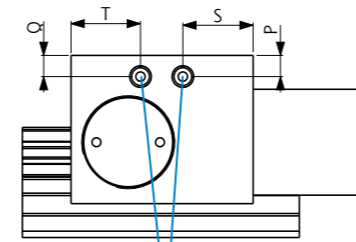
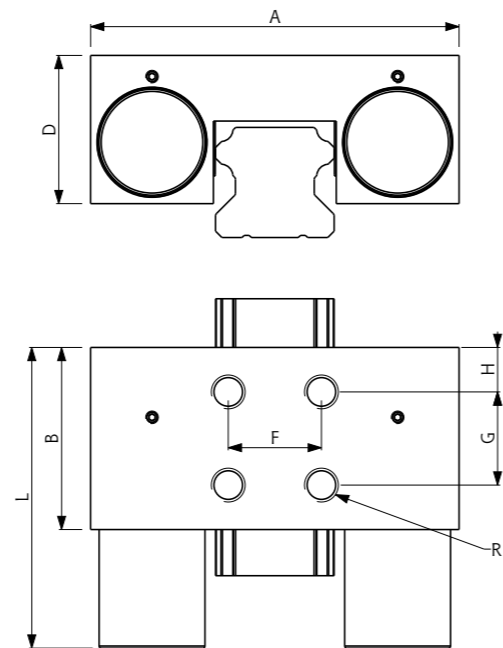
The tightening is done using an amplification system with inclined plane.
Made in construction steel, for high axial and horizontal stiffness.

F##--- S
F##--- E



Guide size **15 ÷ 65 mm**
Working type **Norm. Open**
Body **Steel**
Operating Temperature **20°C ÷ +80°C**
Operating Pressure **5,5 ÷ 8 bar**
Switching time **40 ÷ 60 mSec**
Contact parts Hardness **60 ÷ 62 HRC**

- Small dimensions.
- High clamping force.
- Precise positioning
- High stiffness



M5 AIR CONNECTION
we recommend
the use of compressed
air hose \varnothing 6x4

F##--- M
F##--- D



Guide size **15 ÷ 65 mm**
Working type **Norm. Closed**
Body **Steel**
Operating Temperature **20°C ÷ +80°C**
Operating Pressure **5,5 ÷ 8 bar**
Switching time **40 ÷ 60 mSec**
Contact parts Hardness **60 ÷ 62 HRC**

- Clamping element without the use of energy.
- Includes springs for closing, while the pressure is for opening

Type	Size	Clamping Force [N]				A [mm]	B [mm]	D [mm]	F [mm]	G [mm]	H [mm]	L [mm]	P [mm]	Q [mm]	R	S [mm]	T [mm]
		M	S	E	D												
F	15 S0	400	650	650	1050	57	43	21	15	15	12.5	62	5	15	M4x5	37	6
F	15 S5	400	650	650	1050	55	39	20.8	15	15	8.5	58	5.4	16.3	M4x5	37	4.5
F	15 T0	400	650	650	1050	60	43	21.5	15	15	12.5	62	5.5	15.5	M4x5	37	6
F	15 T5	400	650	650	1050	55	39	21.5	15	15	8.5	58	5.5	17	M4x5	37	4.5
F	20 S0	600	1000	1000	1600	68	39	27	20	20	14	61	5	7	M5x5	16.9	5.5
F	20 S5	600	1000	1000	1600	64.1	39	27	20	20	10	61	5	6.5	M5x5	16.9	5
F	20 T0	600	1000	1000	1600	70	39	25.5	20	20	14	61	5	5	M5x5	18.5	5
F	20 T5	600	1000	1000	1600	66	39	25.5	20	20	14	61	5	5	M5x5	18.5	5
F	25 S0	750	1200	1200	1950	75	39	32.5	20	20	14	63.5	6.6	9.5	M6x8	19.5	5.5
F	25 S5	750	1200	1200	1950	75	35	32.5	20	20	10	56	6.6	9.5	M6x8	19.5	5
F	25 T0	750	1200	1200	1950	77	39	28	20	20	14	63.5	5	6	M6x8	19	5.5
F	25 T5	750	1200	1200	1950	75	35	28	20	20	10	56	5	6	M6x8	19	5
F	30 S0	1050	1750	1750	2800	87	43	38.5	22	22	10.5	71	8.5	8.5	M8x8	16.5	16.5
F	30 S5	1050	1750	1750	2800	90	39	38.5	22	22	8.5	68	8.5	8.5	M8x8	16.5	14.5
F	30 T0	1050	1750	1750	2800	87	43	35	22	22	10.5	71	5	5	M8x8	16.5	16.5
F	30 T5	1050	1750	1750	2800	90	39	35	22	22	8.5	68	5	5	M8x8	16.5	14.5
F	35 S0	1250	2000	2000	3250	106	46	42.5	24	24	7.5	78	5.5	11	M8x15	23	7
F	35 S5	1250	2000	2000	3250	100	39	42	24	24	7.5	59	10.5	12.5	M8x15	23	4.5
F	35 T0	1250	2000	2000	3250	106	46	42.5	24	24	7.5	78	12	11	M8x15	23	7
F	35 T5	1250	2000	2000	3250	100	39	36.5	24	24	7.5	59	5	7	M8x15	23	4.5
F	45 S0	1500	2300	2300	3800	116	50	52	26	26	12	82	15	8	M10x19	20.5	21
F	45 T0	1500	2300	2300	3800	120	50	52	26	26	12	82	15	8	M10x19	20	20
F	45 T5	1500	2300	2300	3800	120	49	43.5	26	26	11.5	81	6.5	6.5	M10x18	20	20
F	55 S0	2000	3000	3000	5000	128	49	59	30	30	9.5	82	17	10	M10x19	18.5	18.5
F	55 S5	2000	3000	3000	5000	128	49	53	30	30	9.5	81	16	9	M10x19	18.5	20
F	55 T0	2000	3000	3000	5000	136	49	54	30	30	9.5	82	13	8	M10x19	18.5	18.5
F	65 T0	2000	3000	3000	5000	146	49	67	50	30	9.5	82	26	21	M10x20	18.5	18.5